



G-Tech

PIVOTING DOOR SYSTEM

In the field of architectural fittings for glass doors high quality and total design flexibility are essential for ease of installation, safety and functionality.

GCC full range of fittings are aesthetically designed and manufactured to provide practicality and security to tempered glass assemblies.

GCC will be happy to help your special design requirements, for any doubts, please contact your nearest GCC distributors for any technical assistance on parts and services, or contact us directly.

GCC reserves all rights to make product modifications or engineering changes without notification.



GOOD CREDIT CORPORATION

No.13,Longmen Rd.,Situn Dist.,Taichung
40757,Taiwan

P.O.Box 1700,Taichung 40099,Taiwan

E-mail : gctw@ms7.hinet.net

TEL : 886 - 4 - 22583755 (Hunting Line)

FAX : 886 - 4 - 22583753

Agent / Distributor



Top Pivot



PVT 20C

PVT 20F

Bottom Pivot

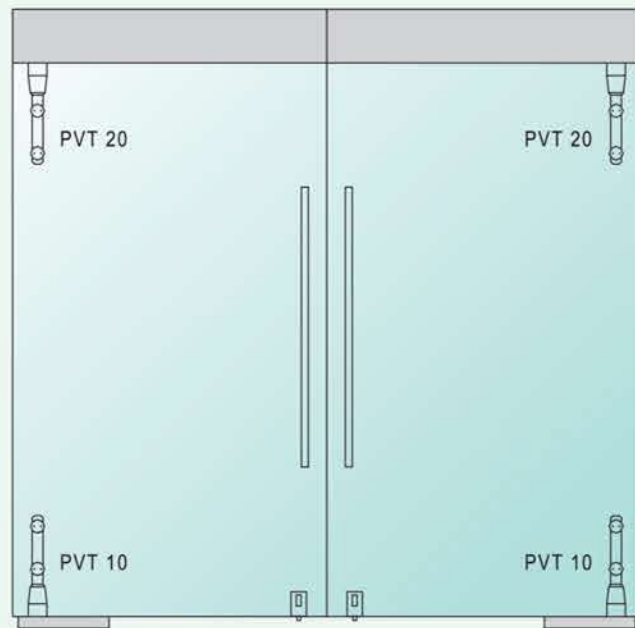


PVT 10C

PVT 10F

DT: Fits GTS-840 Floor Spring, 9115 Floor Pivot Bearing or Germany Floor Spring.

MT: Fits Italy Floor Spring.

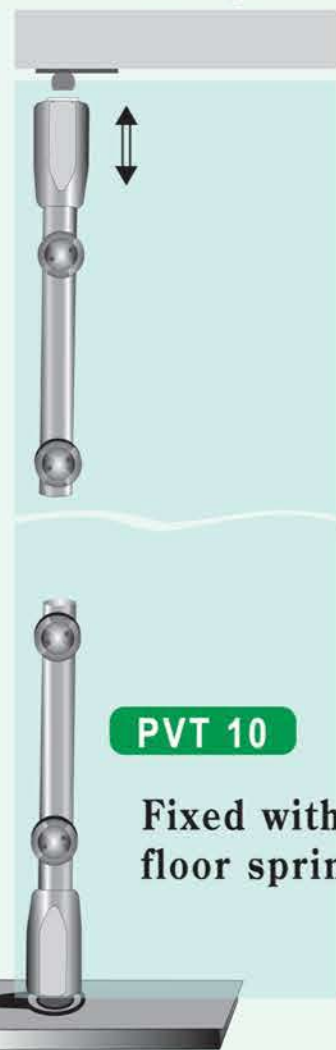


PVT 20

Fixed with 9124 pivot

PVT 20

Fixed with 9129 pivot

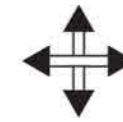
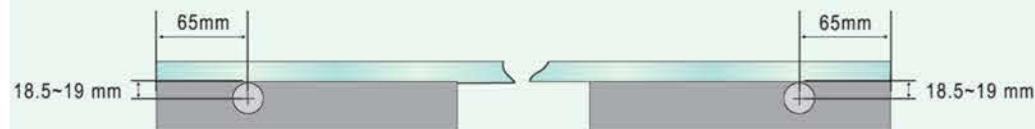


PVT 10

Fixed with floor spring

PVT 10

Fixed with 9115 floor pivot



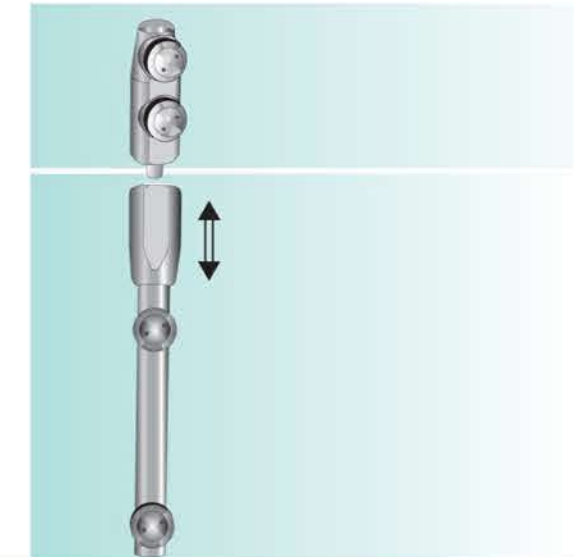
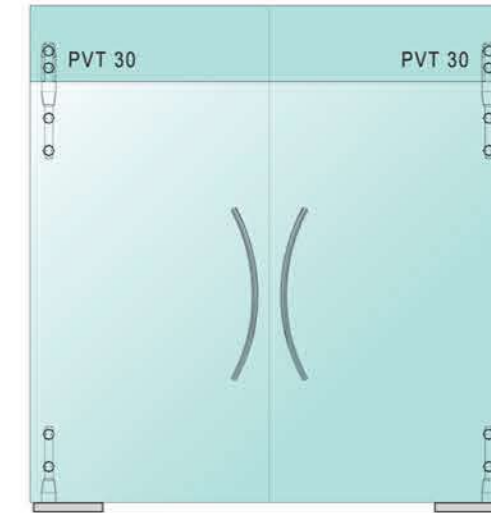
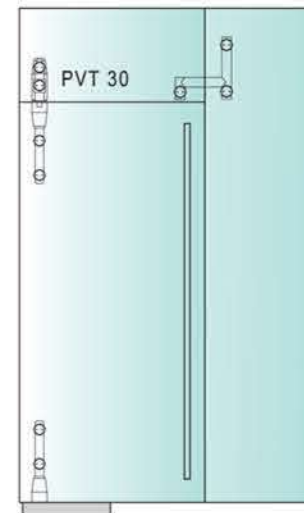
Single point fixing up, down, left or right adjustable.



PVT 30C

Overpanel Pivot

PVT 30F



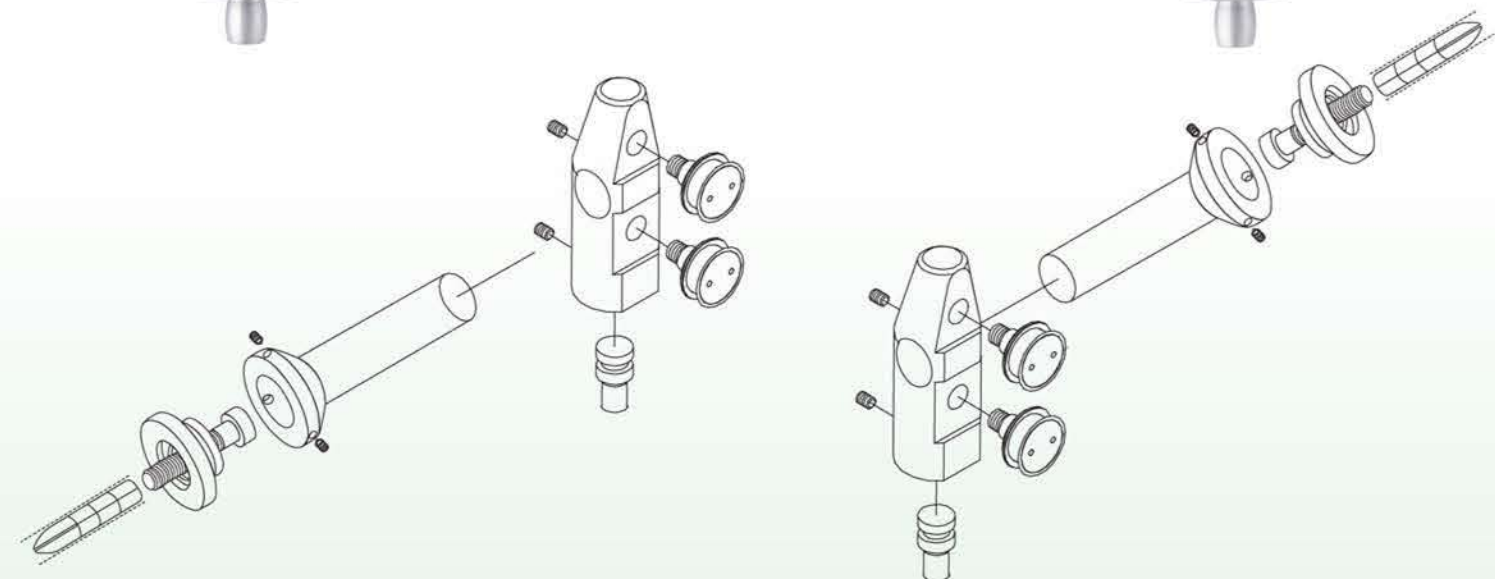
PVT 43C



Adjustable Overpanel Pivot

- For holding overpanel to wall.
- Glass hole notch same as PVT30.

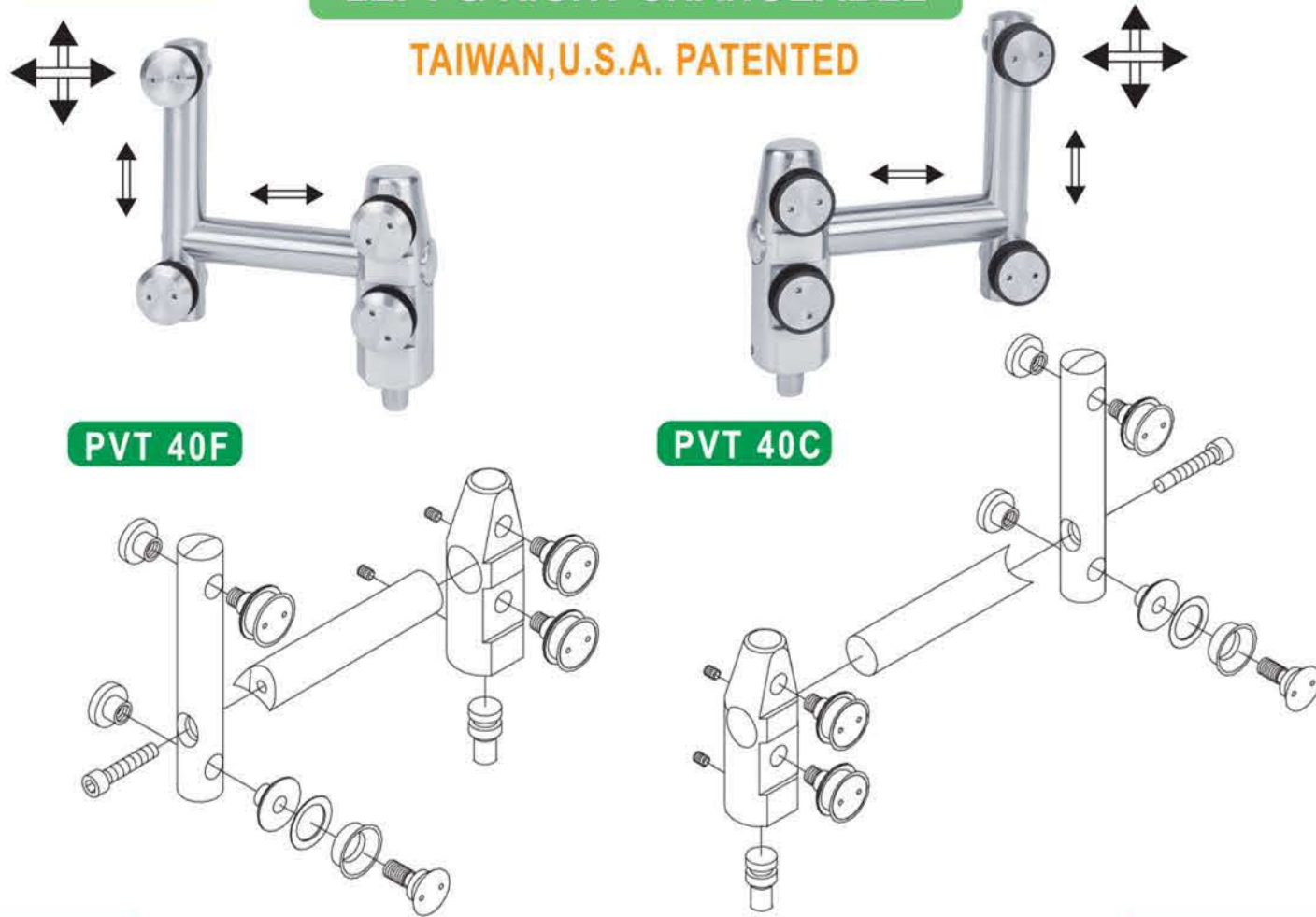
PVT 43F



Adjustable corner transom connector

LEFT & RIGHT CHANGEABLE

TAIWAN, U.S.A. PATENTED



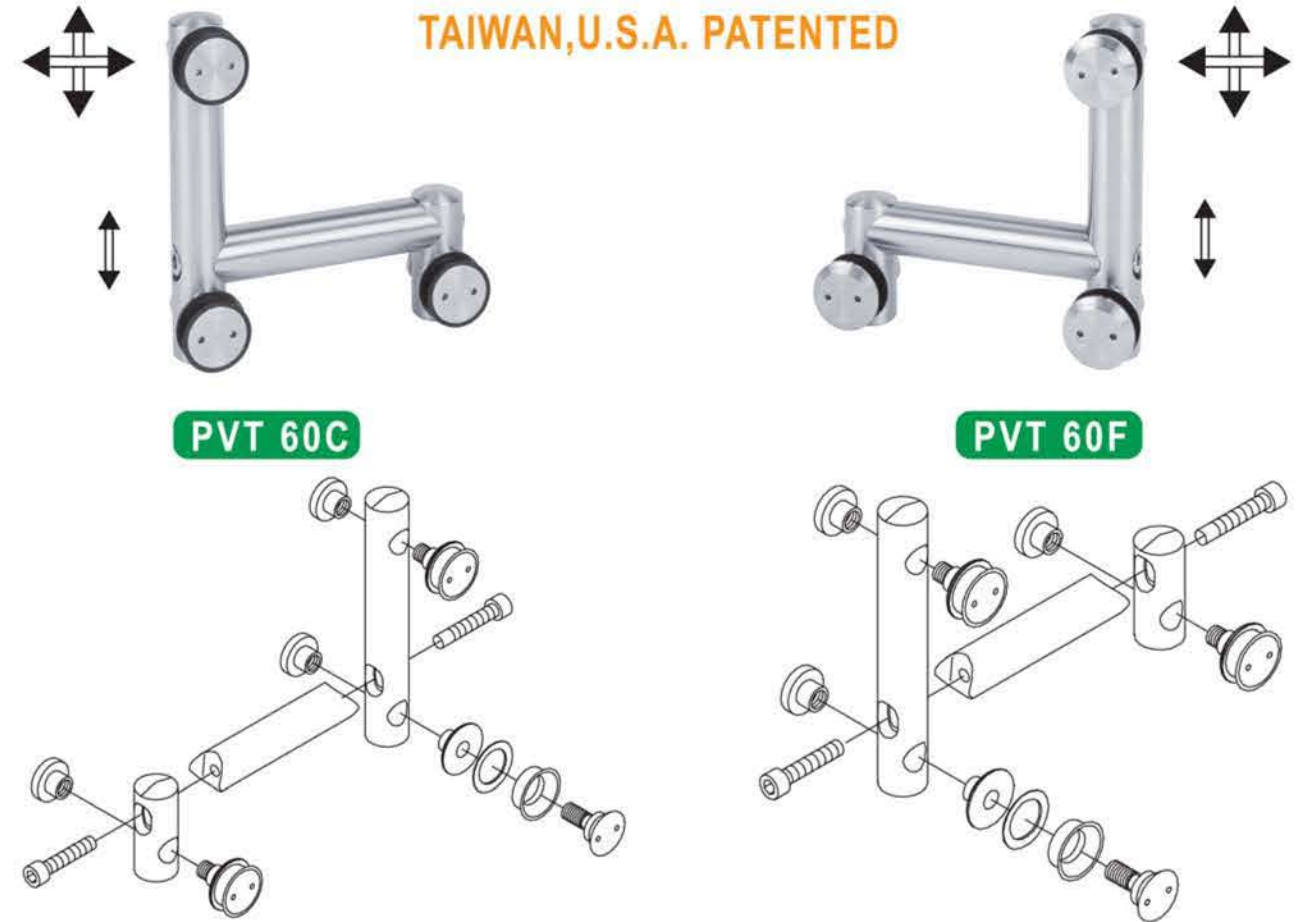
PVT 40F

PVT 40C

Adjustable corner transom connector

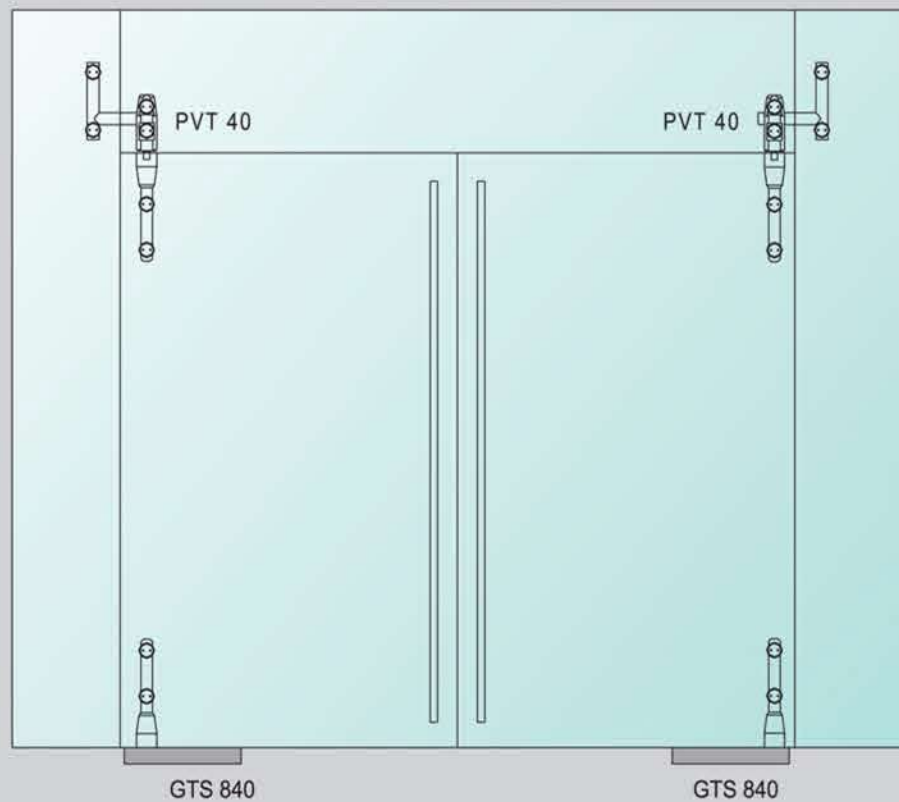
LEFT & RIGHT CHANGEABLE

TAIWAN, U.S.A. PATENTED



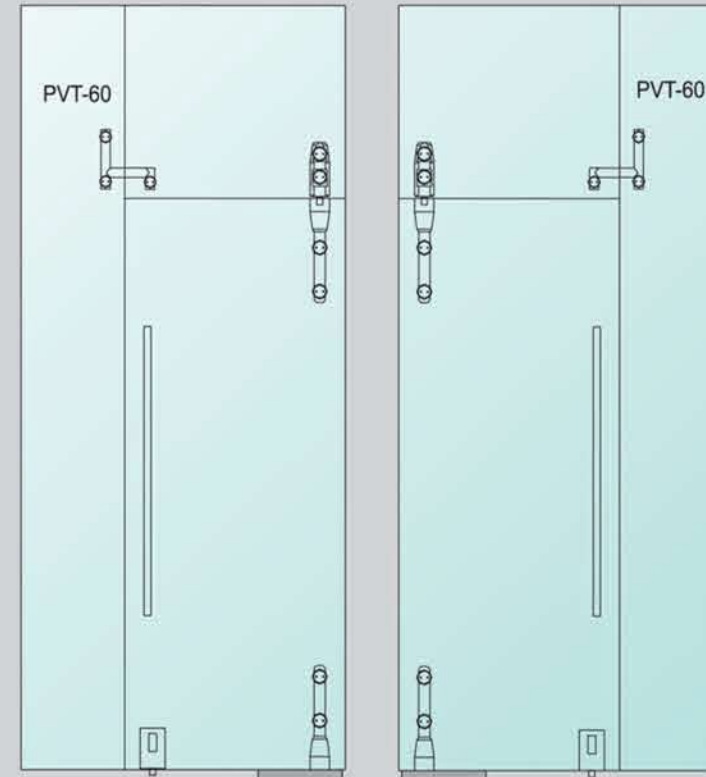
PVT 60C

PVT 60F



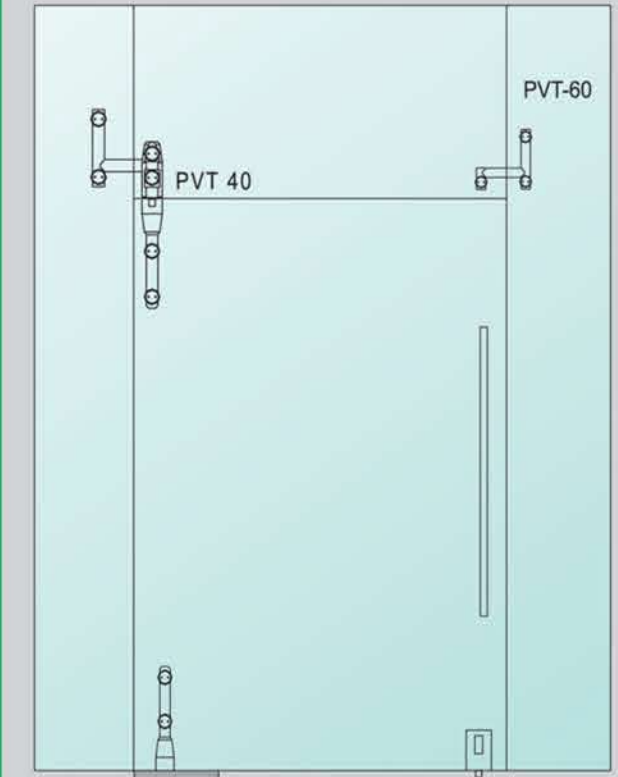
GTS 840

GTS 840



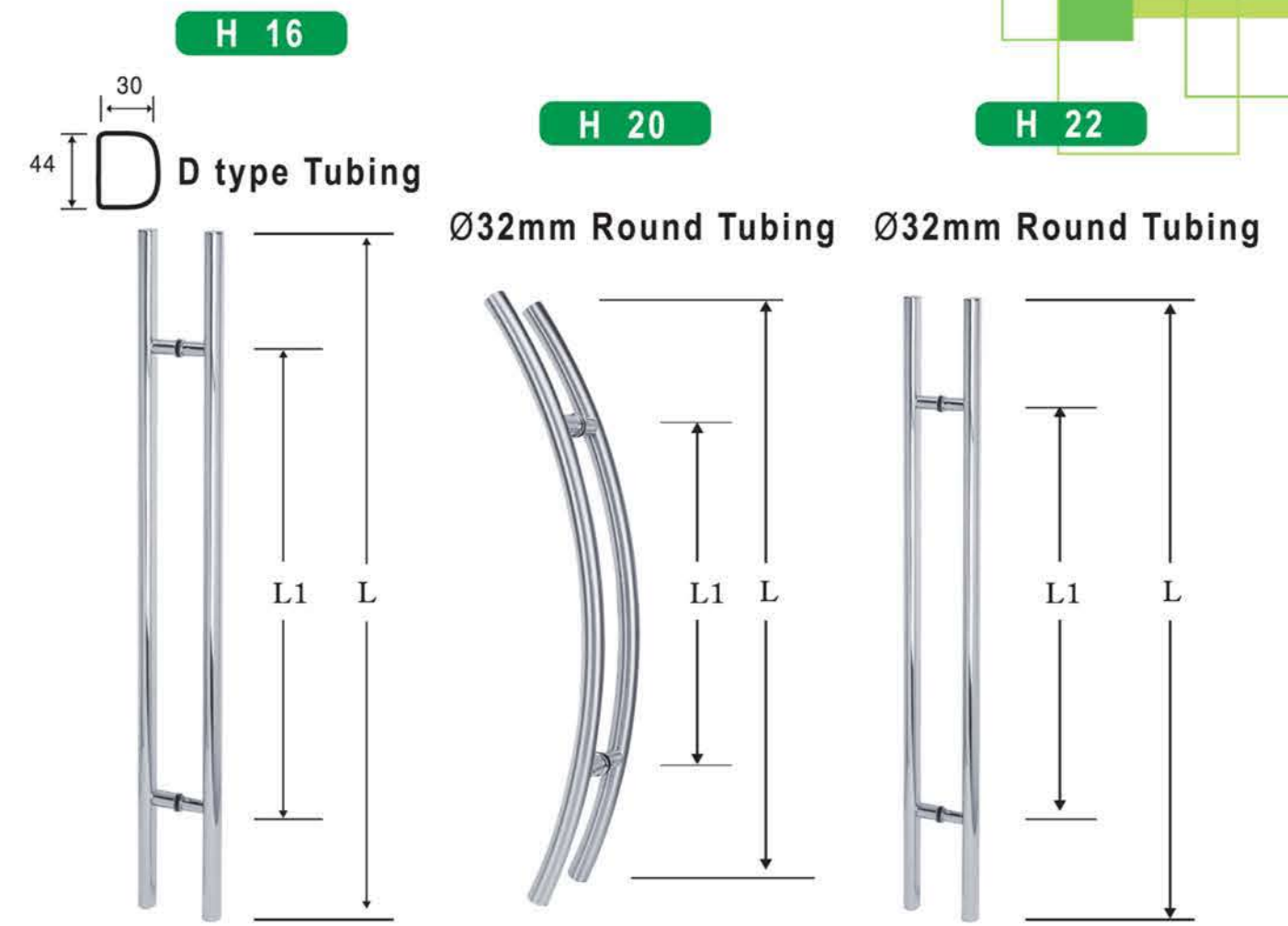
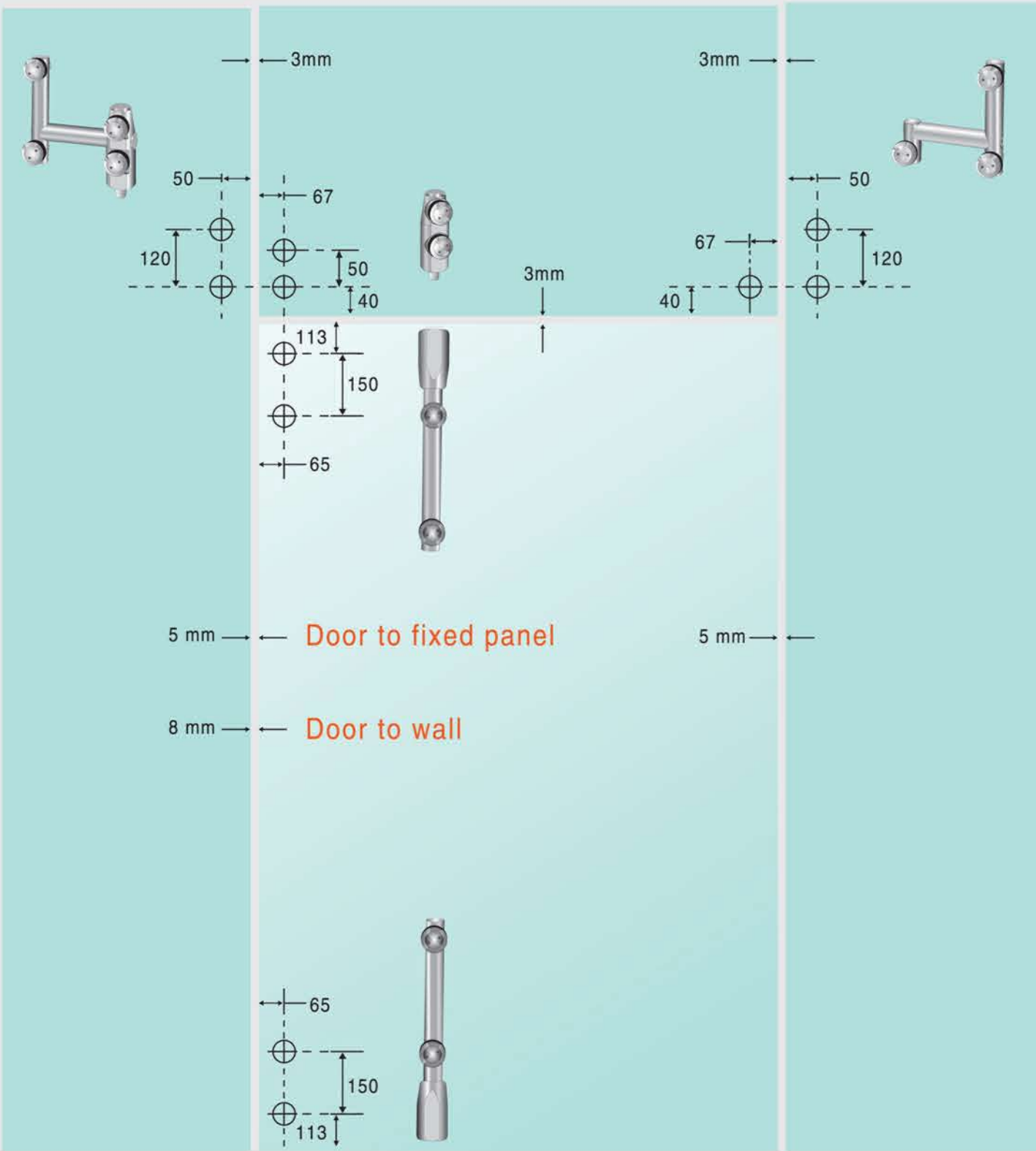
PVT-60

PVT-60



PVT 40

PVT-60



● Customer length acceptable.

H 16 SIZE (mm)

L(length)	L1(C/C)
800	425
1000	600
1200	800
1500	1020
1900	1200

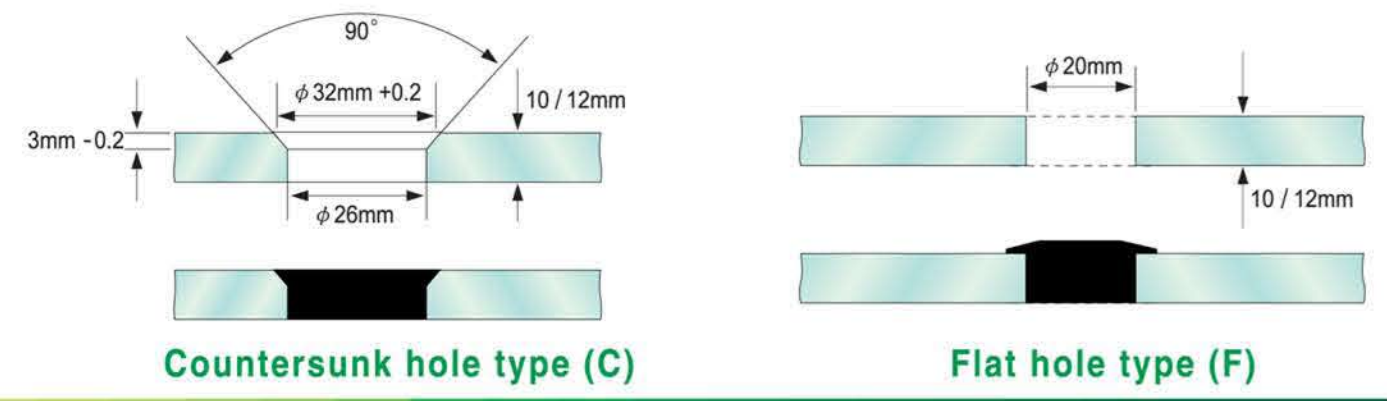
H 20 SIZE (mm)

L(length)	L1(C/C)
800	450

H 22 SIZE (mm)

L(length)	L1(C/C)
800	425
1000	600
1200	800
1500	1020
1900	800x800

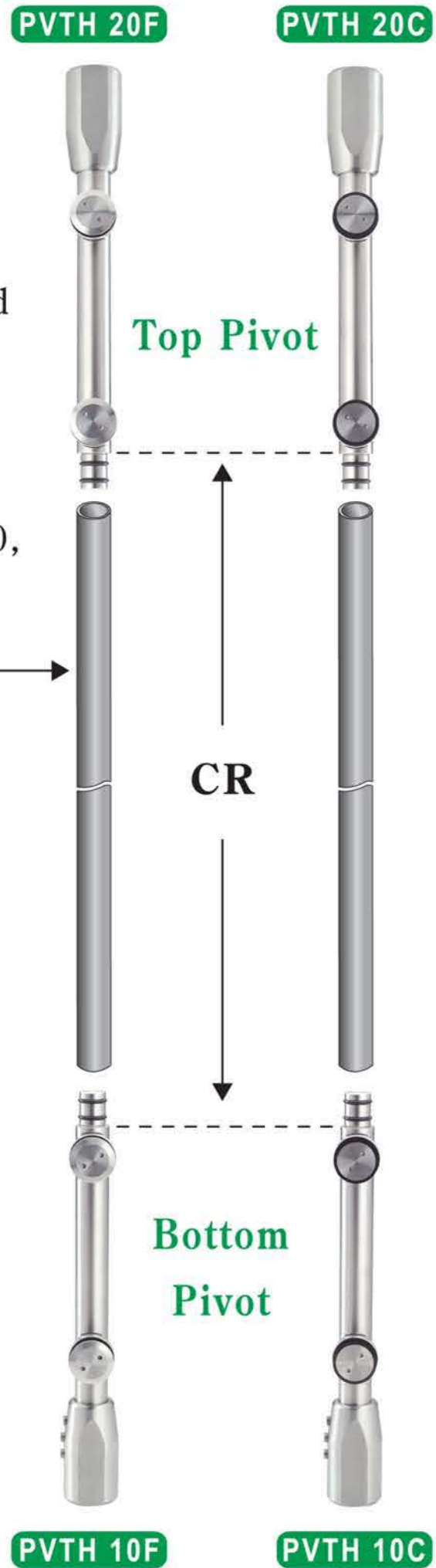
● All pivoting fittings are available for both countersunk and flat glass hole types, Please specify when ordering.



- All handles are manufactured by using high grade SUS 304 stainless steel tube and polished meticulously.
- Available finishes: PSS: Polished stainless steel
SSS: Satin stainless steel
TP : Titanium plated (PVD coated as gold color).

- Connecting rod must be ordered separate.
- **CR**= Full height of glass door panel less 570mm (285+285mm)
- Glass hole notch same as PVT10, PVT20.

- Full height rod G-Tech pivot door



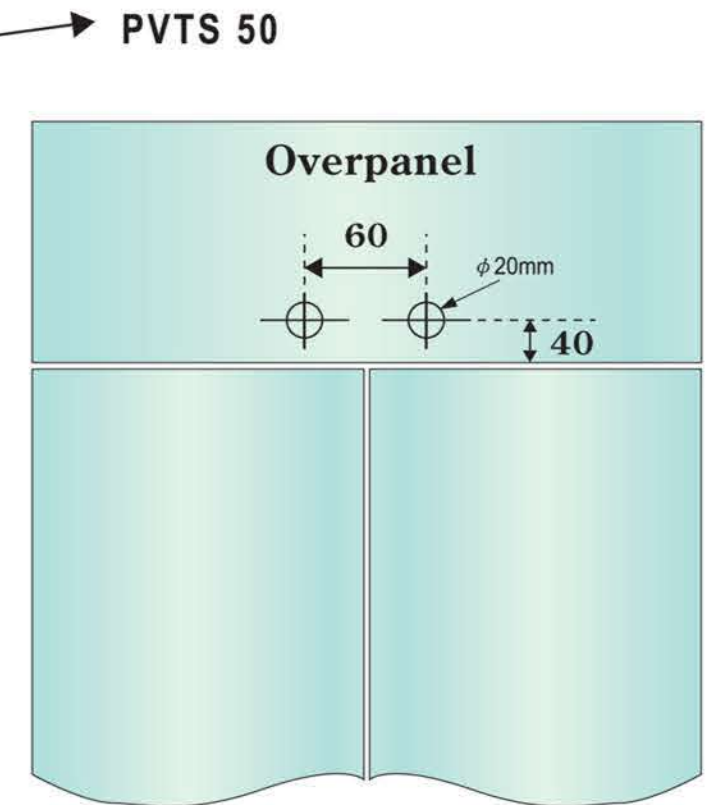
PVTS 50C Door Stopper

- For single action to make the door swing in or out.



PVTS 50F Door Stopper

- For single action to make the door swing in or out.



Accessories

(See **GCC** Tempered Glass Fittings Catalogue)



GL 34S
Patch Lock



9124



9139



9129



9137S



9126(PC)



9125(PB)



9125(PC)



9125T

9126T



9115



GTS 840 Spindle fixed



GTS 840 Spindle interchangeable

(See **GCC** Floor Spring Catalogue)