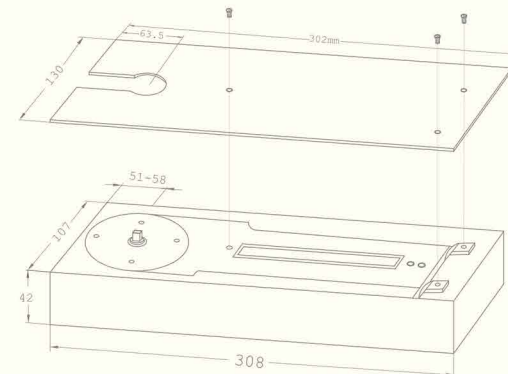
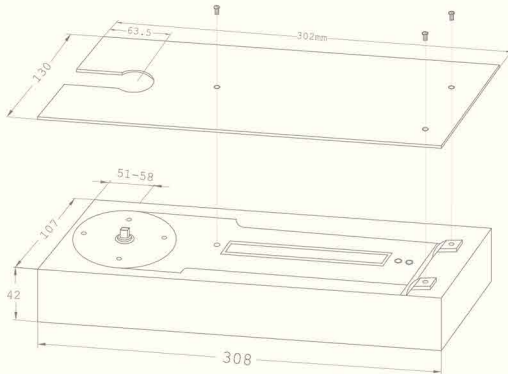
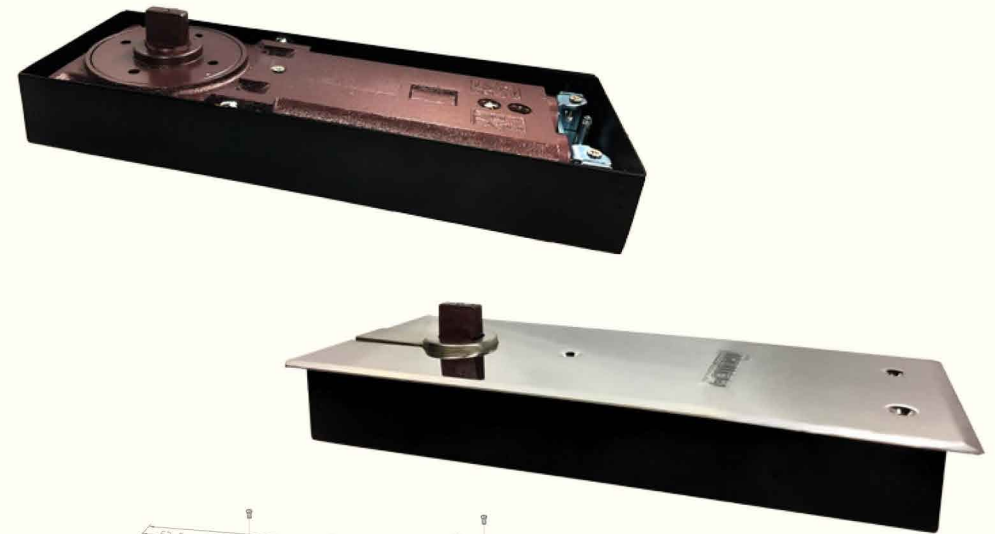
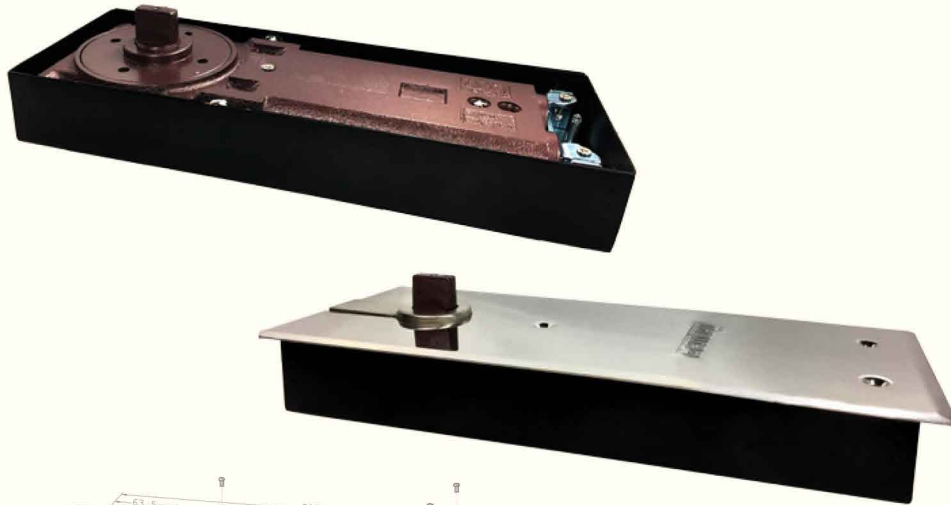


DOOR CLOSER (MEDIUM DUTY)

DOOR CLOSER (HEAVY DUTY)

GNT 68C

GNT 80C



SPECIFICATIONS

| | |
|---|------|
| Maximum Door Weight (in kg) | 100 |
| Maximum Door Width (in mm) | 1000 |
| Closing Force (in Newton Meter) approx. | 25 |

FINISH THICKNESS

PSS (only available in this finish)
10MM - 12MM

SPECIFICATIONS

| | |
|---|------|
| Maximum Door Weight (in kg) | 100 |
| Maximum Door Width (in mm) | 1000 |
| Closing Force (in Newton Meter) approx. | 33 |

FINISH THICKNESS

PSS (only available in this finish)
10MM - 12MM